

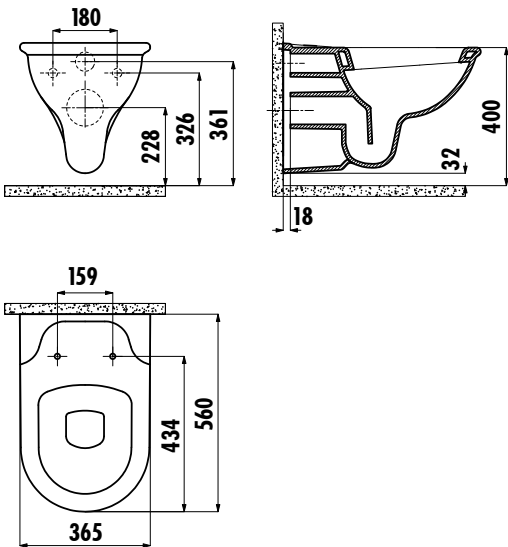


SELIN WALL HUNG PAN

SL320

| | |
|--------------------|---|
| SL320-00CB00E-0000 | Selin Wall Hung Pan Combined Bidet |
| SL320-11CB00E-0000 | Selin Wall Hung Pan |
| KC2203.01.0000E | Tefen Duroplast Soft Closing White Seat&Cover |
| Qty of Pallet: | Pan 24 |
| Qty of Box: | Seat&Cover 10 |
| Weight: | Pan 21,47 kg Seat&Cover 2,55 kg |

TECHNICAL DRAWING



SPECIFICATIONS



Creavit keeps its rights of making any change to the products.



Quality
Management
Systems



Customer Satisfaction
Certificate



Certificate
Environmental
Management
System



Occupational Safety &
Health Management
System

LGA

Germany Accreditation
Certificate

kiwa

Netherlands
Accreditation Certificate

GOST - R

Russia Accreditation
Certificate

UkrSEPRO

Ukraine Accreditation
Certificate



Israel
Accreditation
Certificate



Nigeria Accreditation
Certificate



European Accreditation
Certificate



Turkish
Accreditation
Certificate